

LKX MULTI

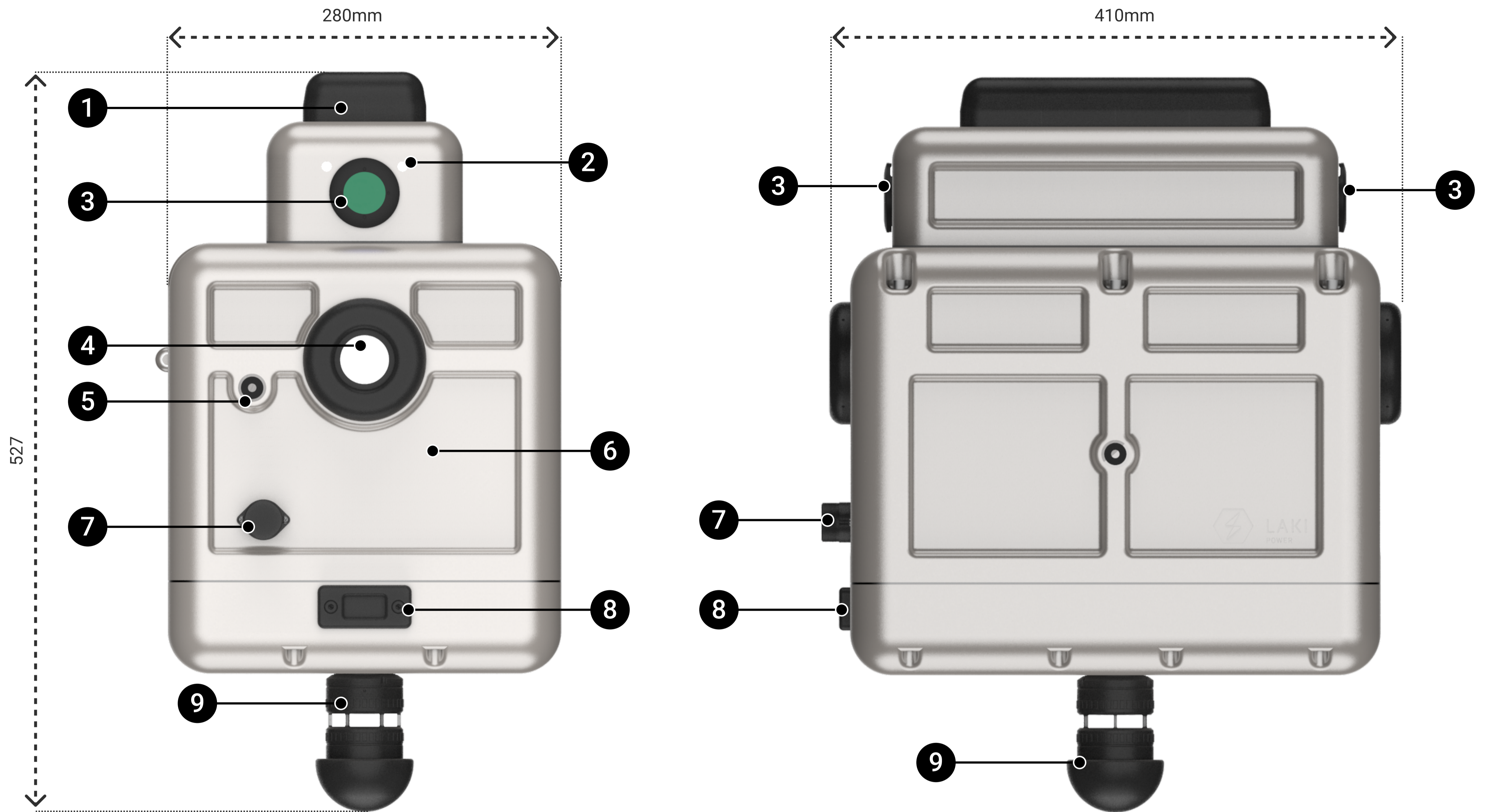
No Batteries, No Panels: A New Standard in Line Monitoring

A compact line powered monitoring unit equipped with optical cameras, meteorological station and line sensors, offers real-time monitoring and ampacity measurements.



- ✓ **Easy Installation**
Designed for simplicity, the LKX MULTI can be set up in minutes via a bucket truck, with flexibility for various overhead line setups.
- ✓ **Dual Camera Monitoring**
Mast and line facing cameras deliver detailed situational awareness, capturing high-definition insights into critical events. From icing and galloping to foreign object interference and conductor anomalies, ensure rapid response, enhanced reliability, and minimal service disruptions.
- ✓ **Complete Weather Station**
From precise wind speed and direction measurements to comprehensive meteorological insights, stay ahead of the elements and optimize your grid's performance with data-driven precision.

Product Features



- 1** Communication Antenna
LTE/UMTS/GSM
- 2** LED Lights
Close range night visibility
- 3** Optical Camera
Line & mast facing, 4K resolution

- 4** Line Sensors
Conductor current and temperature
- 5** Contamination Sensor
Salinity & surface resistance
- 6** Accelerometer
Tilt, roll, movement

- 7** External Power Input
Only for testing
- 8** Meteorological Sensor
Ambient temp., humidity and barometric pressure
- 9** Ultrasonic Wind Sensor
Wind speed and direction

Technical Specifications



Cameras	
Max Resolution	6MP (3072x2048px)
Max Video FPS	25 fps

Wind Sensor	
Speed Range	0-75 m/s
Speed Resolution	0.1 m/s
Direction Range	360°
Direction Resolution	1°

Communication Options	
Mobile	LTE/UMTS/GSM
Optical fiber	Customizable
Relay Mesh	Customizable

Conductor Requirements	
Max Line Voltage	550kV
Max/Min Sub-Cond. Current	1600A / 80A
Max Sub-Conductor Diameter	50mm (1.97in)
Max Sub-Conductor Temp	150°C (302°F)

Operation and Shipping	
Maintenance	Fully autonomous operation. No user maintenance.
Operating Temperature	-40°C to +50°C
Dimensions	527mm x 410mm x 280mm
Unit Weight	37kg (82lbs)
Gross Shipping weight	55kg (121lbs)